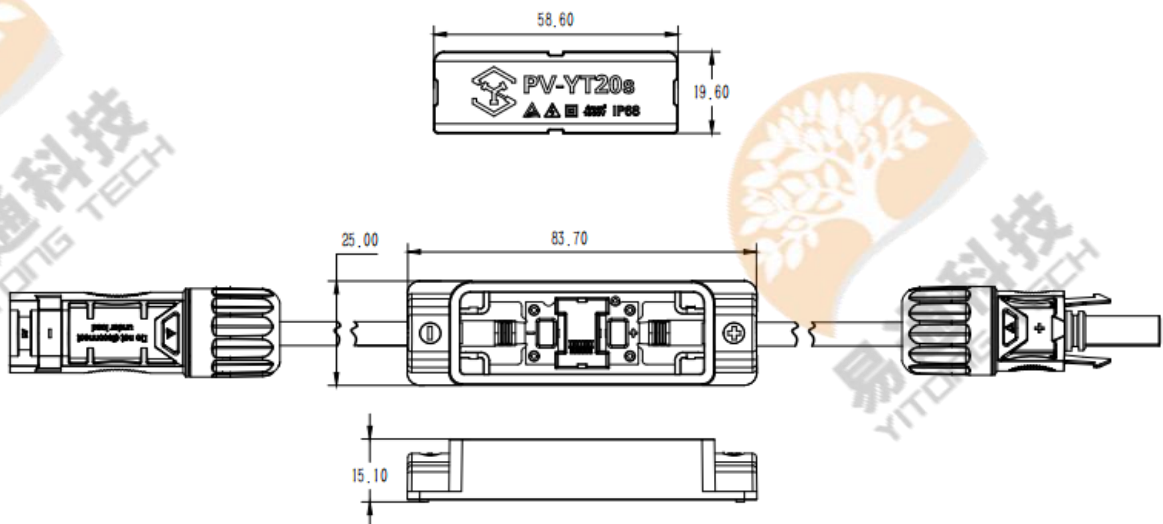




PV-YT20s Instruction

- ⚠ Make sure to carefully read and understand the instruction before installation. If tools other than those specified by the instruction used or if the assembly instructions described here are disregarded then compliance with the standard requirements can't be guaranteed. Meanwhile avoid potential hazards which may result in personal injury and product damage.
- ⚠ For protection against electric shock, while being assembled or disassembled, make sure connectors isolated from the power supply.
- ⚠ Don't connect under load. Refer to warning logo in the connector
- ⚠ The cables conformity with relevant photovoltaic standards must be used.
- ⚠ YiTong to our customers and user to prevent exposure of the following chemicals may cause corrosion, degradation of performance, or cracking of product and might lead to potential safety issues in applications.
(Lists of all known chemicals "WARNING")
- ⚠ Technological improvements and appearance changes may occur, please see the nameplate on the connectors and the connectors as the standard. The changes will be included in the new edition of instruction without extra notice.
- ⚠ Without prior written permission by Baoding Yitong PV Science&Technology Co., Ltd., any form of copy, transmission, distribution and storage of the contents in this document is forbidden.

Finished Products



Baoding Yitong PV Science&Technology Co., Ltd.
Shengchen Green Industry, No. 888, Tangwang road,
Tangxian Economic Development Zone, Baoding City,
HeBei. P. R. China
<http://www.yitongsolar.com>



Introduction:

- sealing glue junction box . Sealed by irrigation sealing glue.
- Integrated diodes.
- cable leads use ultrasonic crimp mechanical locking .
- Connecting to busbar by soldering .

Main Technical Specification

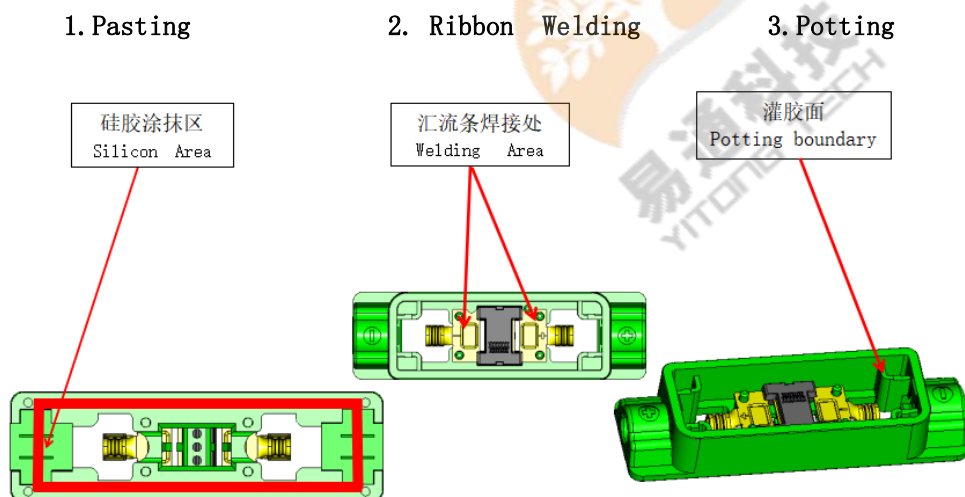
- Rated Voltage: TUV1500V
- Rated current: 20A for PV-YT20s(s=1)
- 25A for PV-YT20s(s=2)
- 30A for PV-YT20s(s=3)
- Connecting capacity : 4mm²
- Protection Degree: IP65/ IP68(1m,1h)
- Ambient Temperature: -40 °C~ +85°C
- Connector : 18-01、YT08-1A、
- Reference standard IEC 62790; EN 62790
- Busbar Width 4-8mm
- Reverse current 48A
- Spray quantity 15g/10.8ml

Main Speciality

with the capacity of Anti-aging and resistance to ultraviolet radiation on the outer cover .

To meet the using requirement under bad outdoor condition.

Installation



Baoding Yitong PV Science&Technology Co., Ltd.
Shengchen Green Industry, No. 888, Tangwang road,
Tangxian Economic Development Zone, Baoding City,
HeBei. P. R. China
<http://www.yitongsolar.com>



WARNING

Lists of all known chemicals

Classify	Chemical Name
Commonly used chemicals	Grease , Lubricate Oil , Rust inhibitors , Stamping oil, Engine Oil、Banana Oil WD40, Insecticide, Oily sealing agent 、Doduconta B25 Kontaktol、Evabrite S, Virex TB, Suma Lima L3, Suma Rinse \DetergentPlasticizer、 Spray cleaner8188、 8188\CM-31S
Grease	Molykote EM-50L (Dow Corning)、 Molykote PG-641 (Dow Corning)
Oils	Die Cut (OELHELD), MACHINE Oil KV46 (Nippon Oil)、 Infeid stamping oil
Mould Release Agent	Pelicoat S-6 (Chukyo-Kasei)
Binder	Chemlok (LORD)
Alcohols	Isopropyl Alcohol (IPA)
Fatty hydrocarbons	Heptane 、 Hexane Cyciohexane 、 Liquid paraffin
Acid, Alkali , Salt	Salt acid 、 Sulfuric acid 、 Nitric acid 、 Phosphoric acid 、 Acetic acid 、 Ammonia、 Sodium hydroxide
Halogenated hydrocarbon	Freon、 Carbon tetrachloride、 Trichloromethane、 Virex 256
Ketone	Acetone、 Methyl ethyl ketone
Aromatic Hydrocarbon	Toluene、 Xylene、 Cresol
Other, Organic solvent	Etyl acetate、 Butyl acetate 、 Tributyl Phosphate、 Kerosene 、 Gasoline 、 Varnish 、 Esters、 Ethers 、 Amines 、 Glacial acetic acid 、 Print ink、 3M
Adhesion sealant	APF125 (Wacker Chemical) 3M adhesive、 Avancis adhesive
Potting Material	KE-200 (ShinEtsu)、 CX-200 (ShinEtsu)

Baoding Yitong PV Science & Technology Co., Ltd.
Shengchen Green Industry, No. 888, Tangwang road,
Tangxian Economic Development Zone, Baoding City,
HeBei. P. R. China
<http://www.yitongsolar.com>