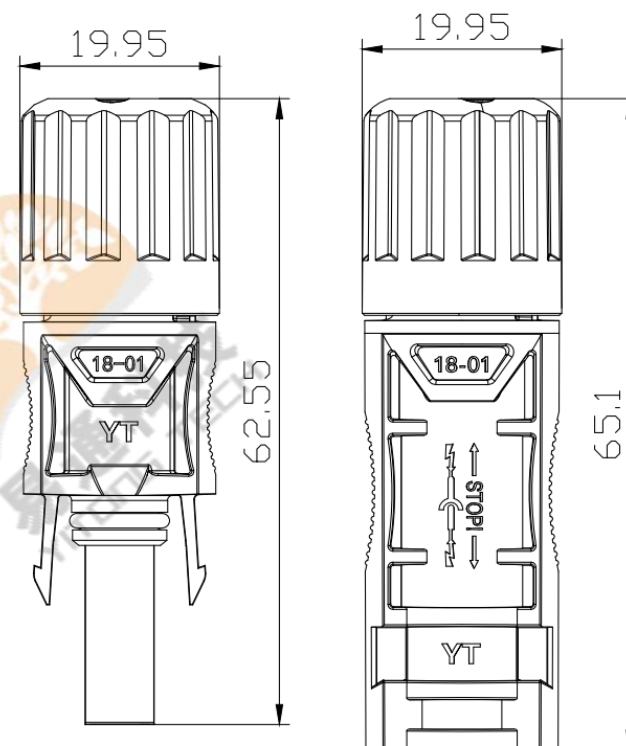
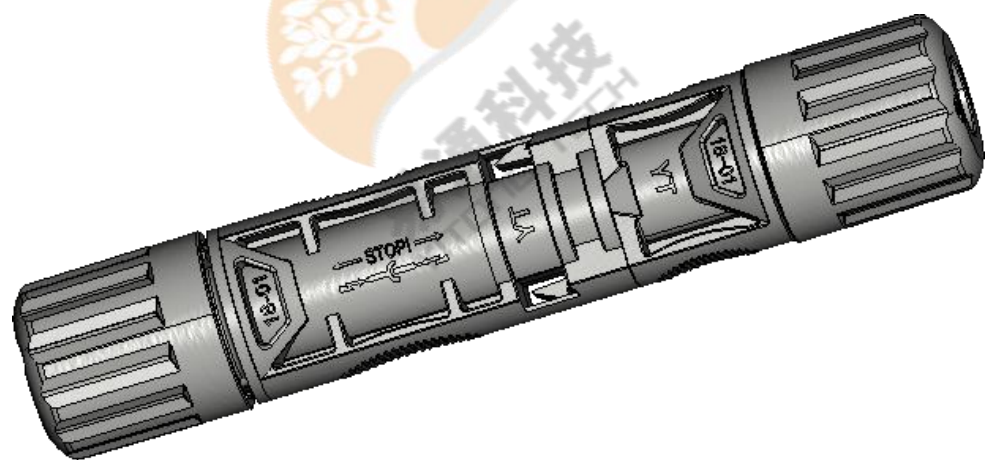


Connector for Photovoltaic System 18-01



Basic Technical Data

Certifications	TUV
Certificate No.	R 50515784
RATED Voltage	1500V DC
Temperature Range	-40°C ~ +85°C
Safety Class	Class II
Degree of protection	IP65/IP68(1m,1h)
Wire Size Range	4mm ²
Flame Resistance	5VB
Waterproofing Structure	Rated insulation voltage/Sealing Gasket
Connection Method	Crimping
Insulation Material	PV40Z
Overall Dimension	62.55*Φ19.55/65.1*Φ19.55

Product number	Rated current	Rated impulse voltage	Rated insulation voltage	Application Class
18-01	41A	16kV	8kV	Class A