



PV-YT10s 说明书

⚠ 请务必按照本说明进行操作，并且选择本说明指定的工具，否则可能会造成技术指标无法满足标准要求，同时避免可能导致个人伤害、产品损害等潜在危害。

⚠ 为防止触电，在安装时请与系统断开。

⚠ 请勿在负载下插拔。

⚠ 务必使用符合相关光伏标准的线缆。

⚠ 易通已知接触或使用以下化学品可能引起产品被污染、腐蚀，导致产品性能的衰减、或出现产品开裂的情形，禁止这些化学品与产品接触。（已知化学品清单见“WARNING”）

⚠ 产品若有技术改进、外观变化，以机身铭牌及实物为准，变化将列入新版资料中，恕不另行通知。

⚠ 未经易通公司事先书面许可的情况下，严禁以任何形式复制、传递、分发和存储本文档中的内容。

PV-YT10s Instruction

⚠ Make sure to carefully read and understand the instruction before installation. If tools other than those specified by the instruction used or if the assembly instructions described here are disregarded then compliance with the standard requirements can't be guaranteed. Meanwhile avoid potential hazards which may result in personal injury and product damage.

⚠ For protection against electric shock, while being assembled or disassembled, make sure connectors isolated from the power supply.

⚠ Connectors may not be connected or disconnected under load.

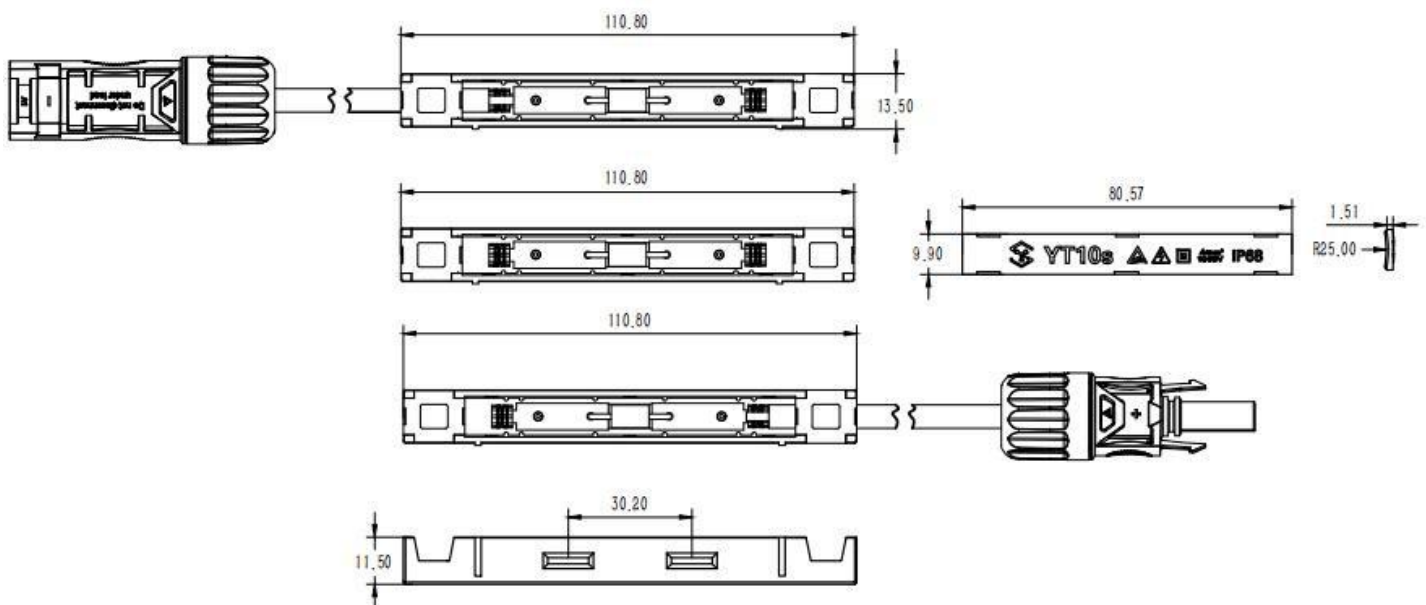
⚠ The cables conformity with relevant photovoltaic standards must be used.

⚠ YiTong to our customers and user to prevent exposure of the following chemicals may cause corrosion, degradation of performance, or cracking of product and might lead to potential safety issues in applications. (Lists of all known chemicals "WARNING")

⚠ Technological improvements and appearance changes may occur, please see the nameplate on the connectors and the connectors as the standard. The changes will be included in the new edition of instruction without extra notice.

⚠ Without prior written permission by Baoding Yitong PV Science&Technology Co., Ltd., any form of copy, transmission, distribution and storage of the contents in this document is forbidden.

成品 Finished Products



**产品介绍:**

- 全灌胶接线盒，采用灌胶密封方式密封。
- 集成二极管。
- 线缆引出采用超声波压接。
- 汇流带采用焊接方式。

主要技术规格:

- 额定电压: TUV 1500V
- 额定电流: 10A for PV-YT10s (s=1)
- 15A for PV-YT10s (s=2)
- 应用电缆线: 4mm²
- 防护等级: IP65/IP68 (1m, 1h)
- 工作环境温度: -40℃ ~ +85℃
- 应用连接器: 18-01、YT08-1A
- 依据标准: IEC 62790; EN 62790
- 汇流带尺寸: 4-8mm
- 反向电流: 48A
- 灌胶量: 6.95g (L/R/M=20.85)

主要特性:

外壳有强烈的抗老化，耐紫外线能力；
符合于室外恶劣环境条件下的使用要求；

Introduction:

- sealing glue junction box .Sealed by irrigation sealing glue.
- Integrated diodes.
- cable leads use ultrasonic crimp mechanical locking .
- Connecting to busbar by soldering .

Main Technical Specification

- Rated Voltage: TUV1500V
- Rated current: 10A for PV-YT10s (s=1)
- 15A for PV-YT10s (s=2)
- Connecting capacity : 4mm²
- Protection Degree: IP65/ IP68(1m,1h)
- Ambient Temperature: -40 °C~ +85 °C
- Connector : 18-01、YT08-1A
- Reference standard: IEC 62790; EN 62790
- Busbar Width: 4-8mm
- Reverse current : 48A
- Spray quantity: 6.95g (L/R/M=20.85)

Main Speciality

with the capacity of Anti-aging and resistance to ultraviolet radiation on the outer cover .
To meet the using requirement under bad outdoor condition.

安装过程 Installation**1. 接线盒粘接 Pasting**

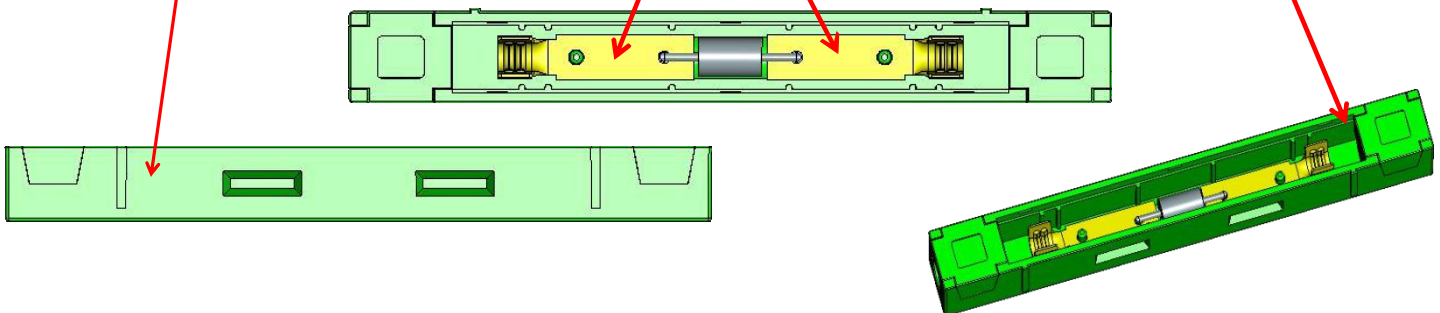
硅胶涂抹区
Silicon Area

2. 汇流条焊接 Ribbon Welding

汇流条焊接处
Welding Area

3. 接线盒灌封 Potting

灌胶面
Potting boundary



保定易通光伏科技股份有限公司
保定市唐县经济开发区唐王公路 888 号盛琛绿色产业基地
<http://www.yitongsolar.com>

Baoding Yitong PV Science&Technology Co.,Ltd.
Shengchen Green Industry, No. 888, Tangwangroad,
Tangxian Economic Development Zone, BaodingCity,
HeBei. P. R. China

**WARNING**

Lists of all known chemicals

分类 Classify	化学品名称 Chemical Name
常用化学品 Commonly used chemicals	黄油 Grease , 润滑油 Lubricate Oil , 防锈剂 Rust inhibitors , 冲压油 Stamping oil, 机油 Engine Oil、天那水 Banana Oil 杀虫剂 WD40, Insecticide, 油性封孔剂 Oily sealing agent 、强氧化性消毒剂 Doduconta B25 Kontaktol、Evabrite S, Virex TB, 餐具清洗剂 Suma Lima L3, Suma Rinse \Detergent 增塑剂 Plasticizer、喷头清洗剂 Spray cleaner 8188、模具清洗剂 8188\CM-31S
脂类 Grease	Molykote EM-50L (Dow Corning)、Molykote PG-641 (Dow Corning)
油类 Oils	Die Cut (OELHELD), MACHINE Oil KV46 (Nippon Oil)、Infeid stamping oil
脱模剂 Mould Release Agent	Pelicoat S-6 (Chukyo-Kasei)
粘合剂 Binder	Chemlok (LORD)
醇类 Alcohols	Isopropyl Alcohol (IPA) 乙丙醇
脂肪族化合物 Fatty hydrocarbons	庚烷 Heptane 、 乙烷 Hexane 环己烷 Cyclohexane 、 液状石蜡 Liquid paraffin
酸碱类 Acid, Alkali , Salt	盐酸 Salt acid 、硫酸 Sulfuric acid 、硝酸 Nitric acid 、磷酸 Phosphoric acid 、 醋酸 Acetic acid 、氨气\氨水 Ammonia、氢氧化钠 Sodium hydroxide
族碳化合物 Halogenated hydrocarbon	佛里昂 Freon 、 四氯化碳 Carbon tetrachloride 、 氧仿 / 三氧化碳 Trichloromethane、烷基二甲基氧化胺 Virex 256
酮类 Ketone	丙酮 Acetone、甲基乙基酮/丁酮 Methyl ethyl ketone
芳香族碳氢化合物 Aromatic Hydrocarbon	甲苯 Toluene、二甲苯 Xylene、甲酚 Cresol
其他、有机溶剂 Other, Organic solvent	乙酸乙酯 Etyl acetate、乙酸丁酯 Butyl acetate 、 磷酸三丁酯 Tributyl Phosphate、煤油 Kerosene 、汽油 Gasoline 、清漆 Varnish 、酯类 Esters 醚类 Ethers 、胺类 Amines 、冰醋酸 Glacial acetic acid 、添加剂 Print ink、稀释剂 3M
粘合密封材料 Adhesion sealant	APF125 (Wacker Chemical) 3M adhesive、Avancis adhesive
填充材料 Potting Material	KE-200 (ShinEtsu)、CX-200 (ShinEtsu)