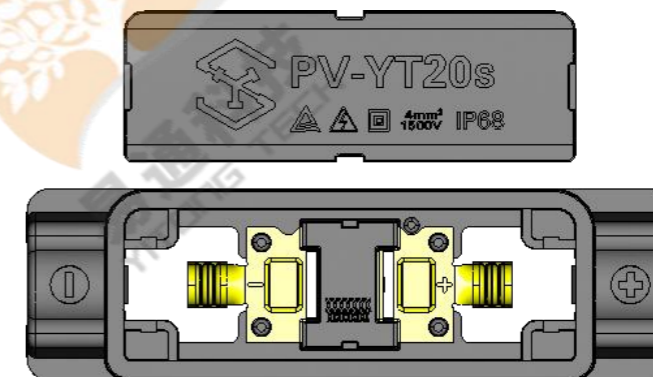
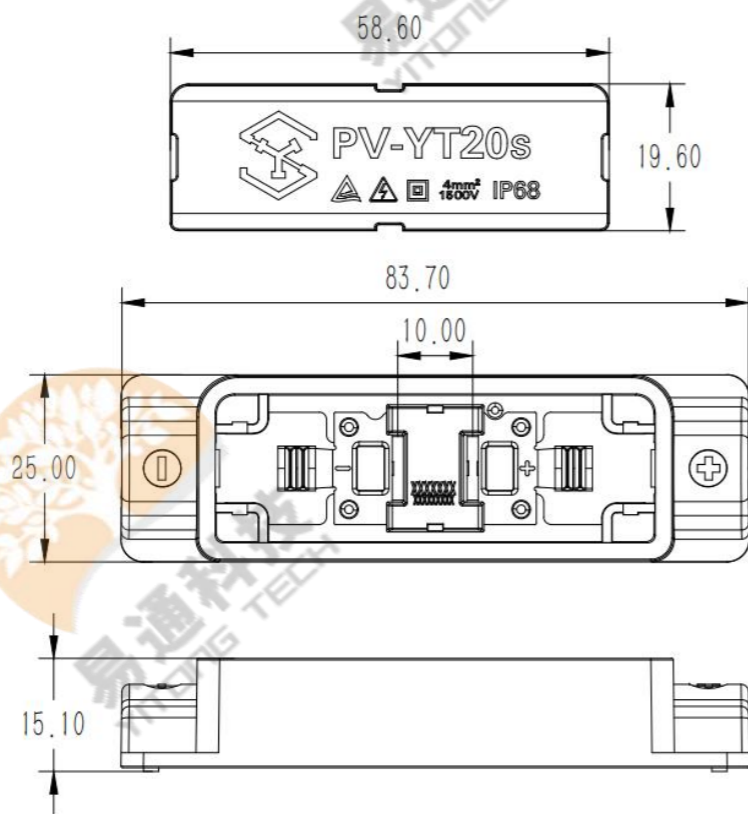


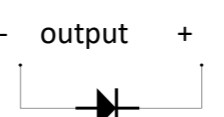
Multi/monocrystalline Module Jnction Box/单多晶硅接线盒

PV-YT20s



Basic Technical Data/基本技术参数

Rated Voltage/额定电压	1500V DC
VRRM/最大峰值反向电压	45V DC
Temperature Range/温度范围	-40℃~+85℃
Safety Class/安全等级	Class II
Protection Degree/保护等级	IP68
Wire Size Range/线缆尺寸范围	4mm ²
Flame Resistance/阻燃等级	5VB
Waterproofing Structure/防水结构	Potting sealant/灌封胶
Volume of silicon gel/灌胶量	APPr. 10.5ml/约 10.5ml
Width of copper Ribbons/焊带宽度	Up to 8mm/最大 8mm
Connection Method/连接方式	Soldering/焊接
Insulation Material/绝缘材料	PPO
Overall Dimension/外形尺寸	83.7*25*15.1mm
Optional Connector/可选连接器	18-01

Product number 产品型号	Rated current 额定电流	Circuit 电路	Distance between the bus bar 汇流带间距 (mm)	No. of diode 二极管数量	Diode type 二极管型号
PV-YT20s	20A/25A/30A	- output + 	10	1	GFMK3045 GFMK6045C GF3045 GF6045 GF6045T